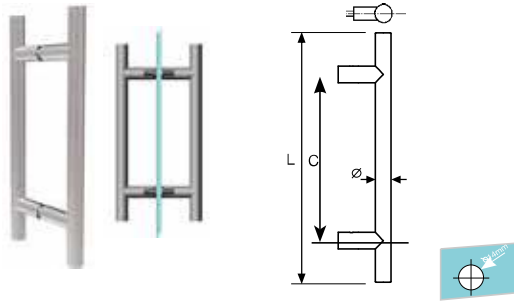


6. HANDLES AND KNOBS



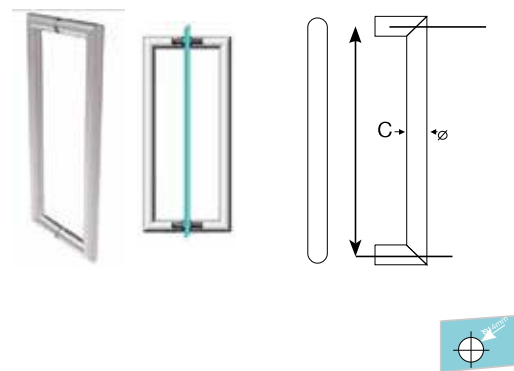
SHOWER KNOBS

ITR



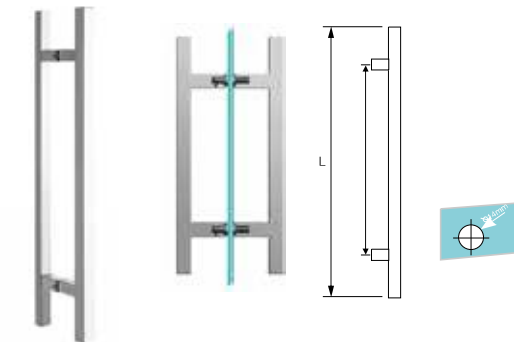
		L	C
Ø 20 MM T=1.5 MM	ITR200300	300	200
	ITR200500	500	340
	ITR200700	700	540
	ITR201200	1200	1040
Ø32 MM T=1.5 MM	ITR300300	300	200
	ITR300500	500	340
	ITR300700	700	540
	ITR301200	1200	1040

IOR



		L	C
Ø 20 MM T=1.5 MM	IOR200300	300	
	IOR200400	400	
	IOR200500	500	
	IOR200700	700	
	IOR201200	1200	
Ø32 MM T=1.5 MM	IOR320300	300	
	IOR320400	400	
	IOR320500	500	
	IOR320700	700	
	IOR321200	1200	

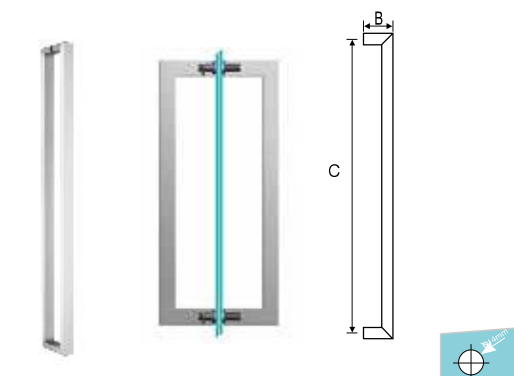
ITS



		L	C
□ 20x20 MM T=1.5 MM	ITS200300	300	200
	ITS200500	500	340
	ITS200700	700	540
	ITS201200	1200	1040

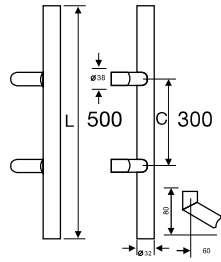
IOS

reference



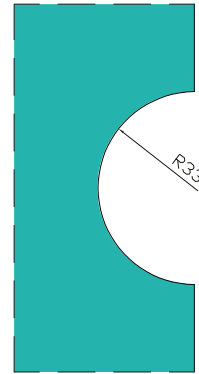
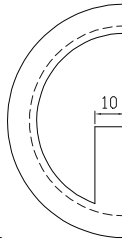
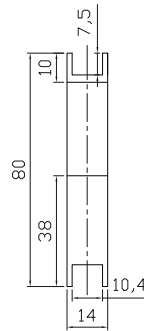
		C
□ 20x20 MM T=1.5 MM	IOS200300	200
	IOS200500	340
	IOS200700	540
	IOS201200	1040

IHR320500



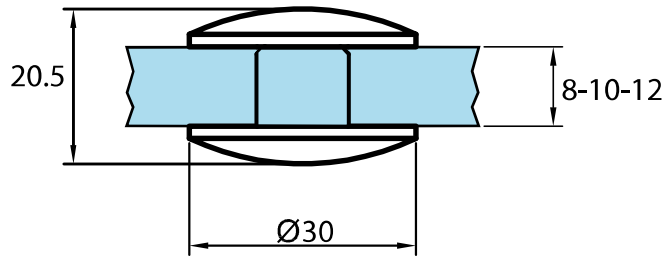
Ø 32 MM
T=1.5 MM

G HANDLE



S1604

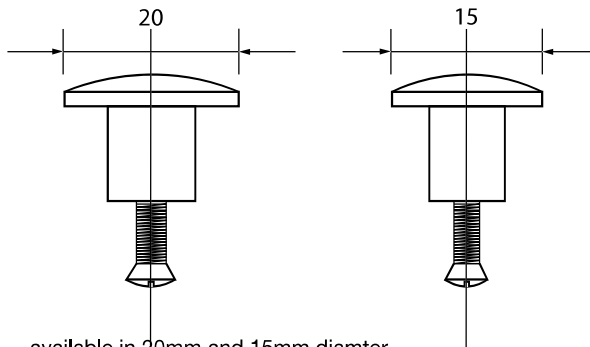
Double bosses
Borchia



available in 30mm, 24mm and 18mm diameter
30mm - 15mm hole
24mm - 15mm hole
18mm - 10mm hole

S1605

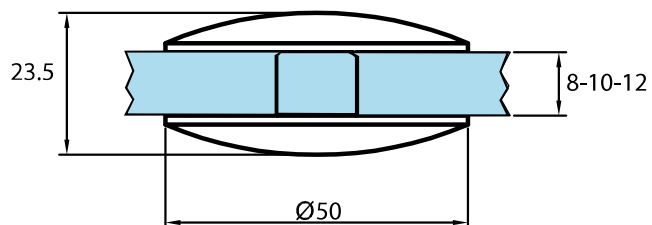
Bosses with screw for S1620-1701-1702
Borchie con vite per S1620-1701-1702

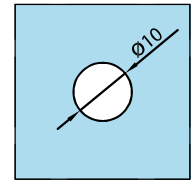
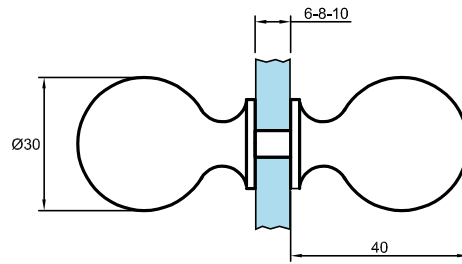
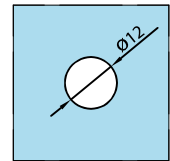
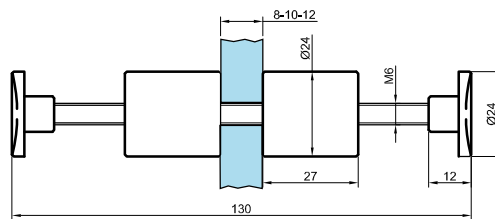
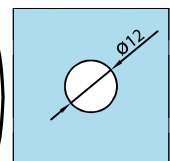
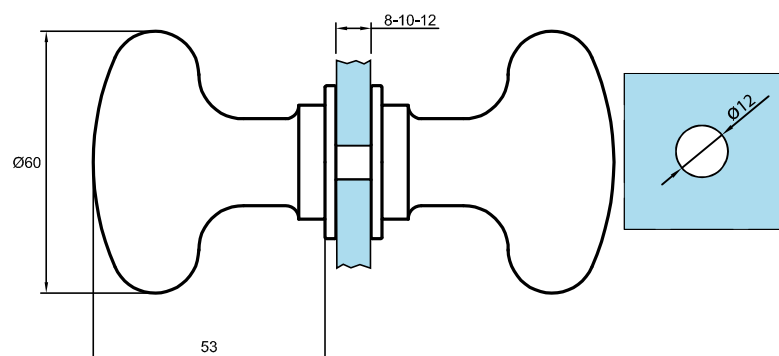


available in 20mm and 15mm diameter
20mm - 10mm hole
15mm - 10mm hole

S1608

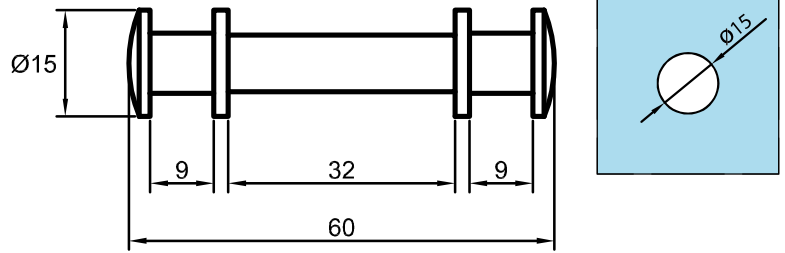
Double joint
Disco di collegamento



ART 30
Pomolino**S1311**Spacer for the double disc glass knobs
Distanziatore per pomoli in vetro a doppio disco**S1312**Knob
Pomollo a cipolla

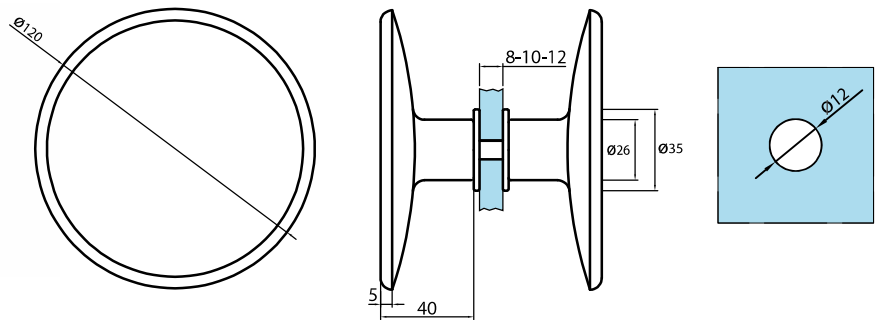
S1651/2

Holder for glass disk
Distanziatore per dischi



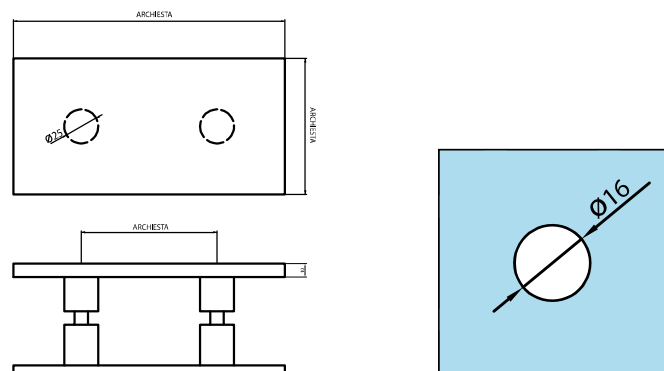
S1330/12

Knob
Maniglione a pomolo - 12mm diameter



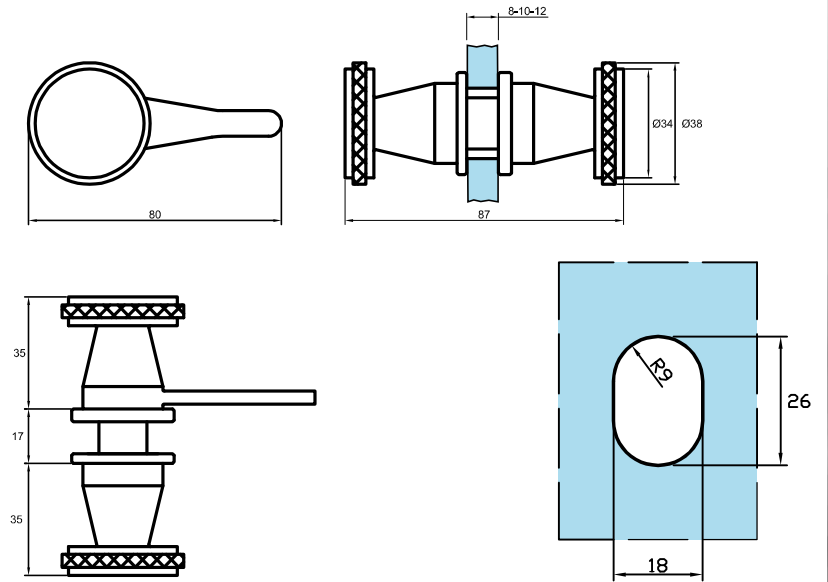
S1330/10

Flat handle
Maniglione a piastra



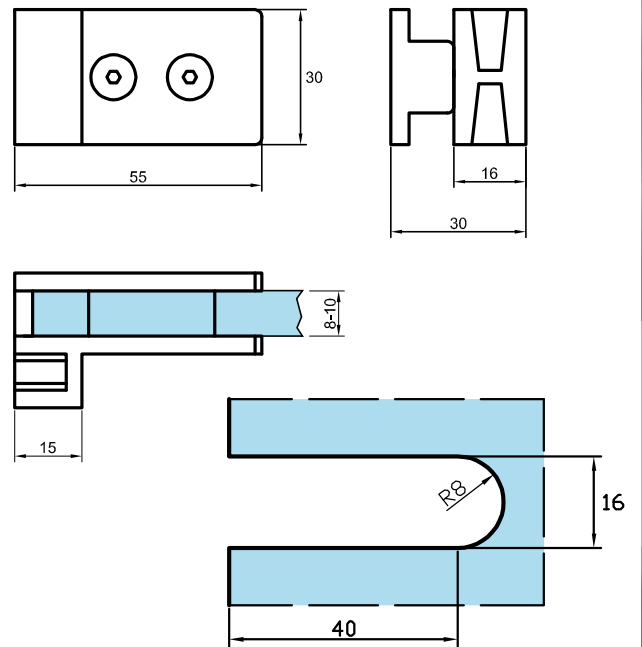
S1640

Turning lever knob
Pomolo as astina girevole



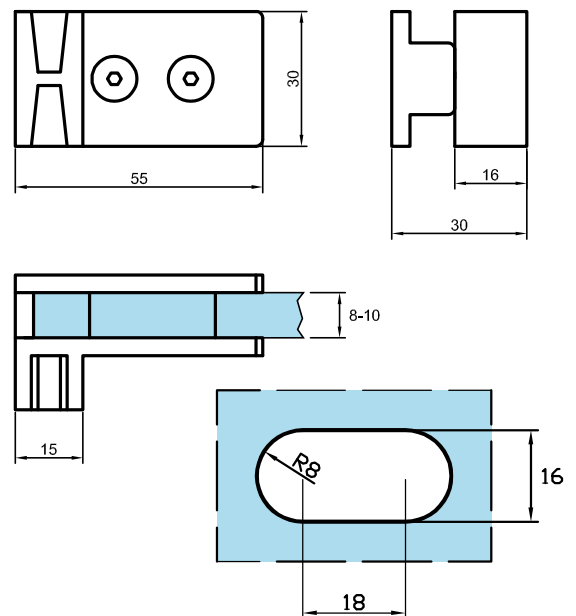
S1641

Backplate for knob
Controcartella per pomolo



S1642

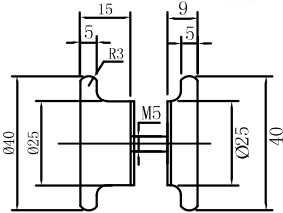
Backplate for knob
Controcartella per pomolo



DK232



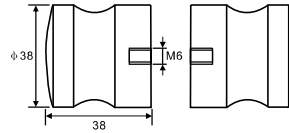
12mm dia



DK204



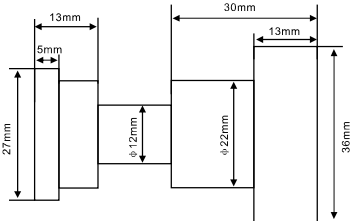
12mm dia



DK231



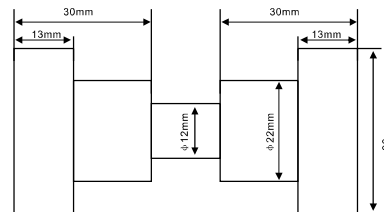
14mm dia



DK232



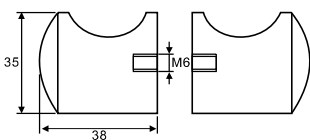
14mm dia



DK205



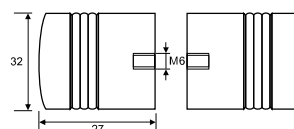
12mm dia



DK212



14mm dia



Ergonomic in shape and easy to grasp in the hand despite its small size. A discreet door knob solution to shower enclosures. In brass with a Polished chrome or Brushed nickle finish. Glass drill hole dia.12 mm.

Push and pull 26mm single sided knob



69901F	Polished Chrome
69906L	Satin Chrome



12mm dia

Push and pull 26mm double sided knob



69903H	Polished Chrome
69910Q	Matt Chrome
69904J	Satin Chrome
69907M	White

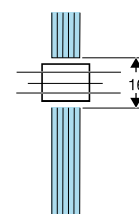
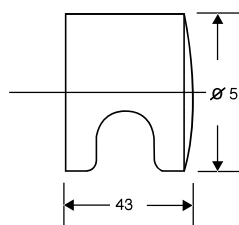
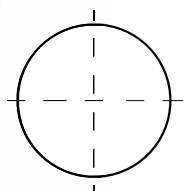


12mm dia

DK002



14mm dia



SHOWER KNOBS

35 mm diameter knob, with 3 very rubber rings to improve grip. Available in brass, polish chrome, matt chromed and gilded. Glass drill hole dia.12 mm.

KNOB FOR BONDING



69965Z	Polished Chrome
69971G	Matt Chrome
69966A	Gold



12mm dia

SINGLE SIDED KNOB



69967B	Polished Chrome
69973J	Matt Chrome
69968C	Gold
69972H	White



12mm dia

DOUBLE SIDED KNOB



69969D	Polished Chrome
69975L	Matt Chrome
69974K	White



12mm dia



The Capsi knobs are matched with the hinges, clips and support bars that comprise this range, mainly for shower enclosures. 30 mm square with a groove to make them easy to hold. Extremely easy to install despite their square shape. In aluminium bronze with standard finishes Polished chrome, Brushed nickel or gilded. Glass drill hole dia. 12 mm.

Single sided 30mm square knob



69800V	Polished Chrome
69801W	Brushed Nickel
69802X	Gold



12mm dia



Double sided 30mm square knob



69810G	Polished Chrome
69811H	Brushed Nickel
69812J	Gold



12mm dia

Additional Accessories kit: inclusive of transparent gaskets and plain cover plate.



69813K	Polished Chrome
69814L	Brushed Nickel

Custom stainless steel handles



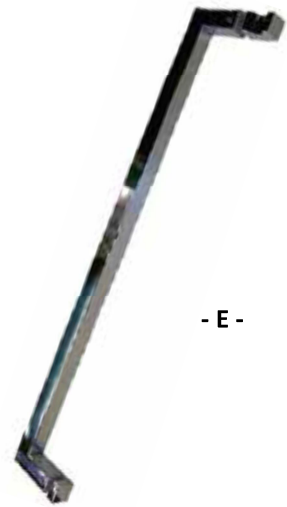
- A -



- B -



- C -



- E -



- D -

Custom handles	Ø 25		Ø 30		Ø 40	
	A	B	A	B	A	B
<= 350 mm	707 00Y	707 05D	707 10K	707 15Q	707 30G	707 35M
<= 950 mm	707 01Z	707 06F	707 11L	707 16R	707 31H	707 36N
<= 1950 mm	707 02A	707 07G	707 12M	707 17S	707 32J	707 37P
<= 2950 mm	707 03B	707 08H	707 13N	707 18T	707 33K	707 38Q
<= 6000 mm	707 04C	707 09J	707 14P	707 19U	707 34L	707 39R

Handle in stock	Length	Spacing	Ø drilling	mark	For glass from 6 to 16 mm		For 8 mm glass
					Ø 20 BSS	Ø 25 BSS	∇ 20 PSS
	300 mm	200 mm	14	B	707 67W	-	-
	500 mm	300 mm	14	B		707 87T	
	1000 mm	600 mm	14	B		708 80U	
	320 mm	300 mm	10	E	Single vertical handle		705 18A
	520 mm	500 mm	10	E	Horizontal single handle		705 19B

Drilling Ø 14mm

Accessories for simple handles for transforming a single handle 707 into a handle-knob ideal for sliding doors (see 601). The button or the bowl are positioned on the fixed glass side. The stick handle can thus be mounted vertically or horizontally on the other side of the door.

Button Ø30 x40 in brushed stainless steel with threaded rod M8x50 and clear plastic wedge.	C	707 65U
Bowl Ø40xØ30x6,5 with threaded rod M8x30 and clear plastic wedge.	D	707 66V

Handle options

		Simple	double
Mirror polished stainless steel		707 57L	707 56K
Additional spacers	Ø 25	70750C	70751D
	Ø 30	707 52F	707 53G
	Ø 35	707 54H	707 55J
If handle > 2.40			
Retractable latch		708 74N	spacing > 800 mm

Door options

Thick door	708 00H	If glass thickness > 16 mm
	For wood or aluminum door	
High door	708 01J	if 6000 > glass > 3000 mm
Retractable latch	708 04M	

Glass options

Tempered laminated glass	708 08R	Valide for all Ø handles
Laminated glass unhardened	708 07Q	

Attention consult ADLER sas if the number PVB layer exceeds half of the thickness of a glass in mm.

$$\text{Ratio} \frac{\text{TH. PVB}}{\text{th. Thinner glass}} \geq 0.2 \text{ mm consult Adler}$$

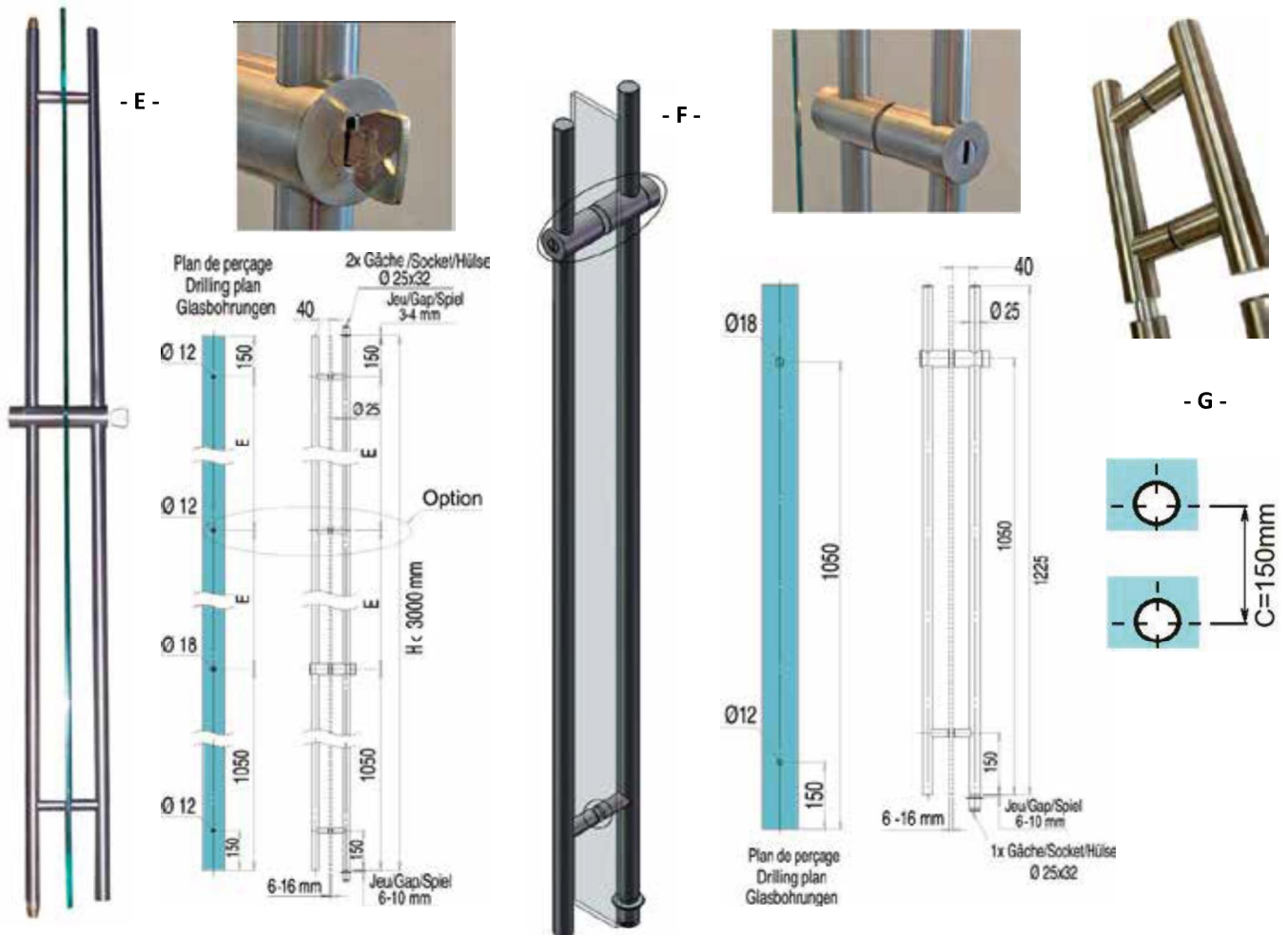
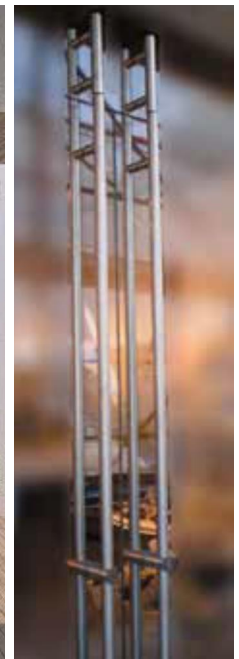


Handles with integrated lock

ADLOCK handles with integrated lock offer highly aesthetic, ergonomic and tailor-made solutions for locking glass doors from 8 to 16mm (office buildings, healthcare facilities, shops, school premises, collective dwellings, museums, verandas, interior fittings, Etc.). These handles can be simply adapted, on request, for doors of any thickness (eg 40mm aluminum or wood).

Sprocket / rack mechanism designed and patented by ADLER suitable for handles sticks from 25mm in diameter. Smooth operation and self-locking at the end of the closing stroke. In standard outer safety cylinder and inner knob. Any other configuration on request.

These handles are made to measure and in short time, as standard in brushed or polished stainless steel. Also available on request for heights up to 6m or other materials, finishes or shapes. Supplied with TECYC-ADLER safety cylinders (3 keys as standard) or KESO 2000 S Ω (patented key). Varied keys by default, keys on opening or flow charts on request. Supplied with 1 Ø25 x32 striker for 1-point locking handles and 2 locking strips for 2 closing points.



Cylinder/button	mark	BSS Ø 25	BSS Ø 35	BSS Ø 45
Any height: custom	E	707 70Z	707 72B	
½ height	F	707 75F		
Striker for glass transom	G	707 62R	707 63S	707 64T


Cylindre standard TECYC-ADLER

Cylinder with 3 keys	706 10A	Model interchangeable with KESO 200S Ω
Additional key provided with handle	706 11B	
Key service	706 12C	Provided the security card or copy
Cylinder SAV without key	706 13D	

Cylinder options

Patented KESO 200S Ω cylinder	707 60P	Supplied with 3 keys + security card - different combination From 2: same combination on request
Additional key	706 72T	Available from the commercial document
Service key + 3 keys	706 68P	Provided the security card or copy
Customer Service	706 75W	

Handle options

		Simple	Double
Mirror polished stainless steel		707 57L	70756K
Additional spacers	Ø 25	707 50C	707 51D
	Ø 30	707 52F	707 53G
	Ø 35	707 54H	707 55J
		If glass thickness > 2.40	
Reinforced Strong Spacers		708 74N	
Ground striker		707 61Q	

Door options

Thick door	708 00H	If glass thickness > 16 mm
	Wooden or aluminium door	
High door	708 01J	If 6000 > glass > 3000 mm
Retractable latch	708 04M	

Glass option

Tempered laminated glass	708 08R	Valid for all Ø of handles thickness limited to the ratio below
Laminated glass unhardened	708 07Q	

Attention consult ADLER sas if the number PVB layer exceeds half of the The thickness of a glass in mm.

$$\text{Ratio } \frac{\text{TH. PVB}}{\text{th. Thinner glass}} \geq 0.2 \text{ mm consult Adler}$$



Organizational + Path Options

With TECYC cylinder	706 10A	On demand
---------------------	----------------	-----------

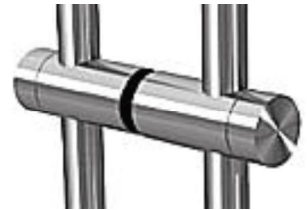


Variant 2
key / key

- A -

Variant 3
button / button

- B -



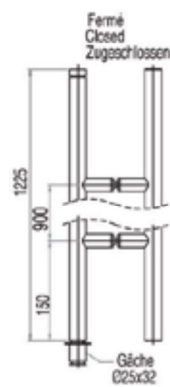
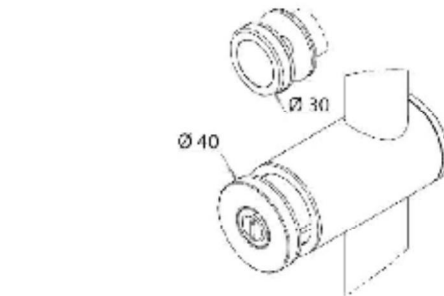
706 16H

- C -

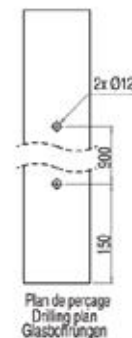


706 15G

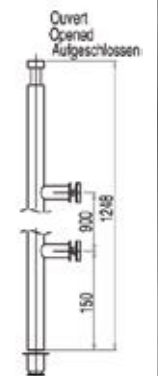
- D -



- E -



Plan de perçage
Drilling plan
Glassöffnungen



- F -

	mark	Simple Ø 25	Double Ø 25	BSS
Cylinder / cylinder				
Any height	A		708 68G	2 custom closing points - custom
½ height	A		708 69H	1 closing point
Button/button				
Any height	B		707 69Y	2 custom closing points - custom
½ height	B		707 68X	1 closing point
Cylinder on the outside				
Any height	C	706 16H		2 custom closing points - custom
½ height	D	706 15G		1 closing point
Inner side cylinder				
Any height	E	707 85R		2 custom closing points -custom
½ height		707 86S		1 closing point
Push Button Closure				
Height 500 mm		707 80L	707 82N	1 closing point on the ground
Height 1225 mm	F	707 81M	707 83P	1 closing point on the ground